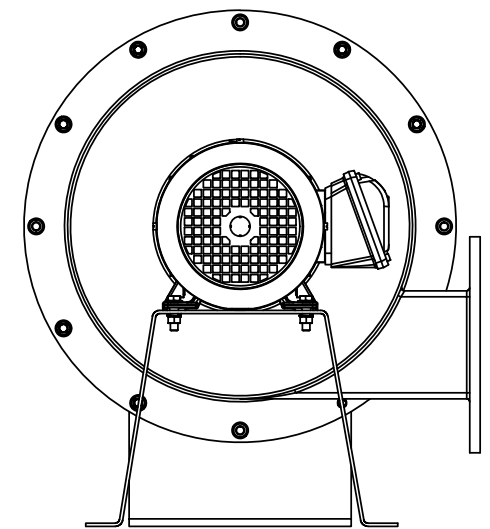
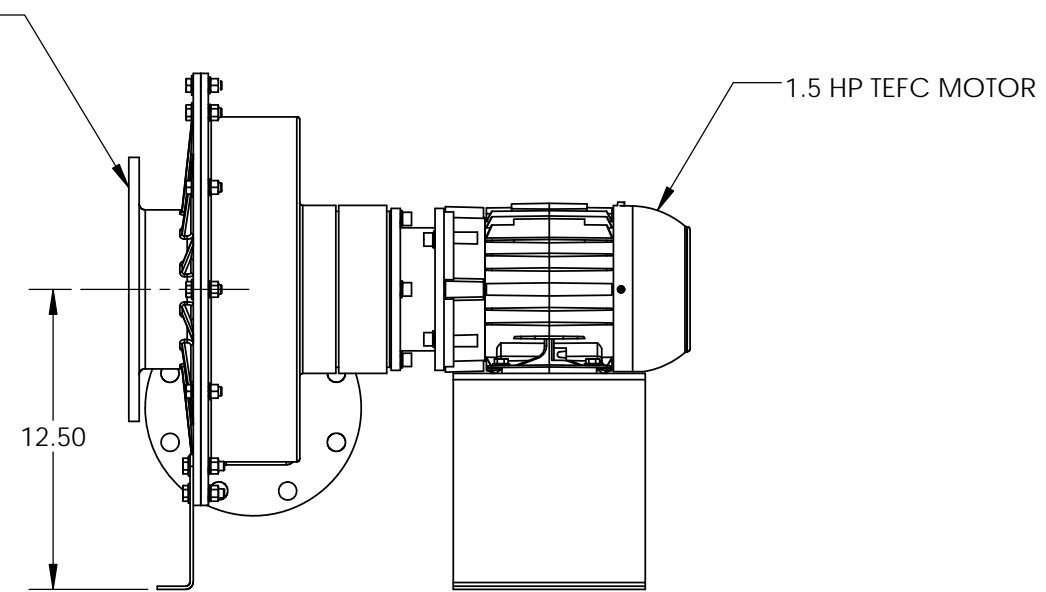
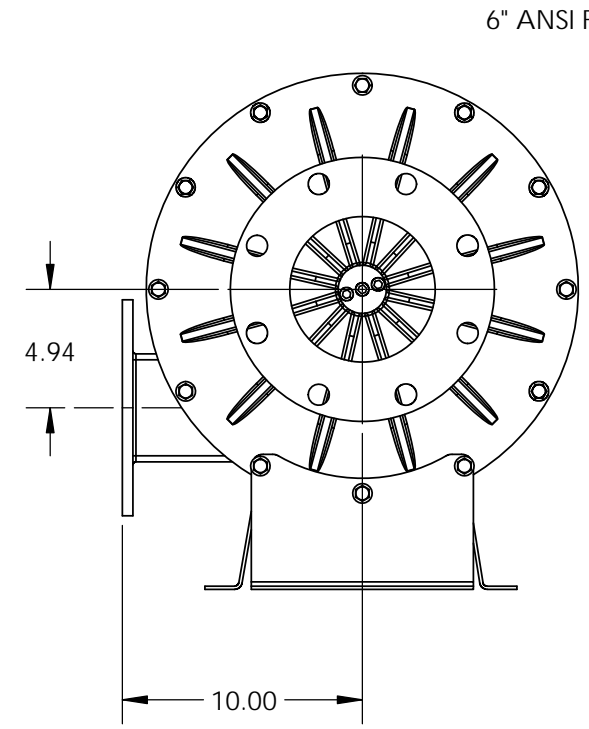
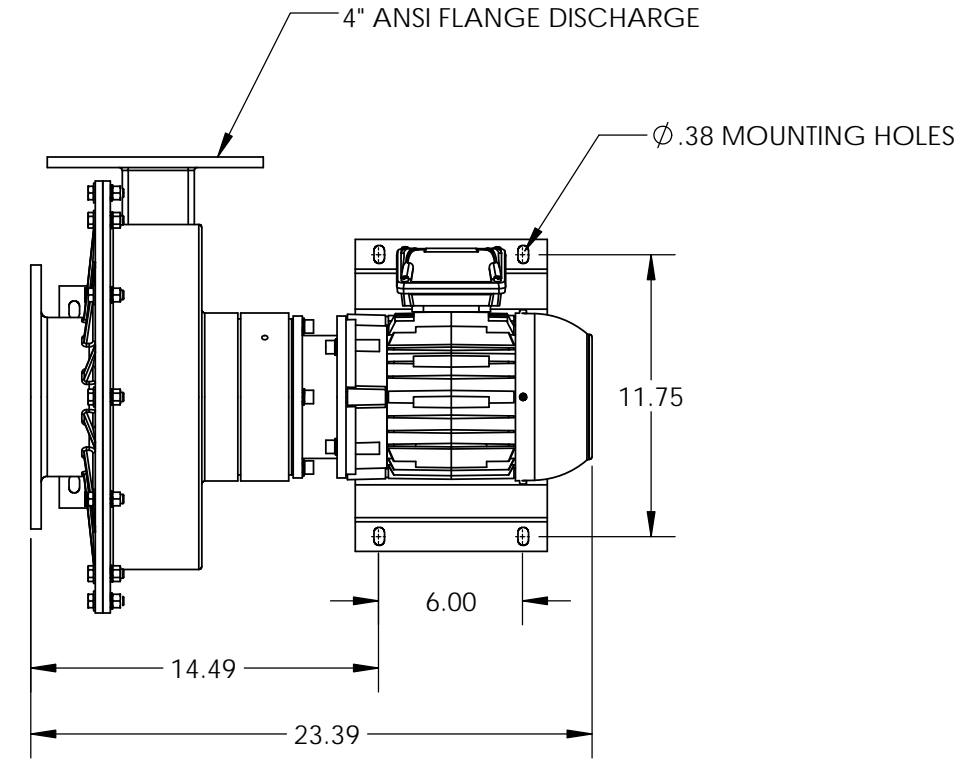
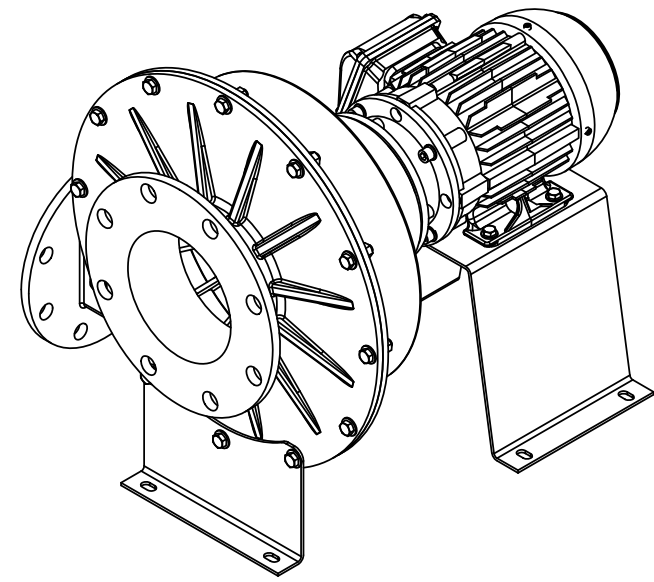


4

3

2

1



- NOTES
1. BLOWER CONSTRUCTED OF 319 CAST ALUMINUM.
 2. BLOWER SHAFT MAGNETICALLY COUPLED TO MOTOR SHAFT.
 3. GASKET MATERIAL INTERFACE SOLUTIONS N-8090.
 4. O-RING MATERIAL NITRILE 70 DUROMETER
 5. OPTIONAL CERAMIC COATING OF INTERNAL SURFACES AVAILABLE UPON REQUEST.

PROPRIETARY AND CONFIDENTIAL
 THE INFORMATION CONTAINED IN THIS DRAWING IS THE SOLE PROPERTY OF ACTION BLOWER & EQUIPMENT. ANY REPRODUCTION IN PART OR AS A WHOLE WITHOUT THE WRITTEN PERMISSION OF ACTION BLOWER & EQUIPMENT IS PROHIBITED.

UNLESS OTHERWISE SPECIFIED:		NAME	DATE	action blower & equipment		
DIMENSIONS ARE IN INCHES		DRAWN	RMH			04.15.15
TOLERANCES:		CHECKED	RMH	TITLE: GT1400		
FRACTIONAL ±		ENG APPR.	RMH			
ANGULAR: MACH ± BEND ±		MFG APPR.	RMH			
TWO PLACE DECIMAL ±		Q.A.	RMH	SIZE	DWG. NO.	REV
THREE PLACE DECIMAL ±		COMMENTS:		B	GT1400-6.4 Cast	0
INTERPRET GEOMETRIC TOLERANCING PER:				SCALE: 1:8	WEIGHT:	SHEET 1 OF 1
MATERIAL						
FINISH						
DO NOT SCALE DRAWING						

4

3

2

1

B

B

A

A