

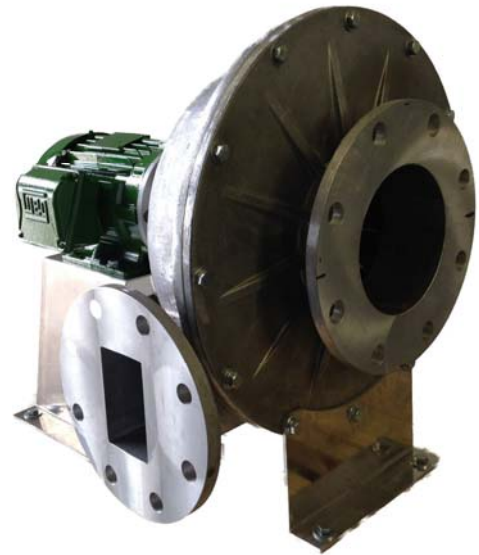
The GT1400 gas booster from [action blower & equipment](#) is a solution for applications in which the available gas pressure is not adequate to meet the demands required by boilers, burners, generators, or process equipment.

The hermetically sealed blower is designed to run at variable speeds to efficiently meet the requirements of a wide range of applications.

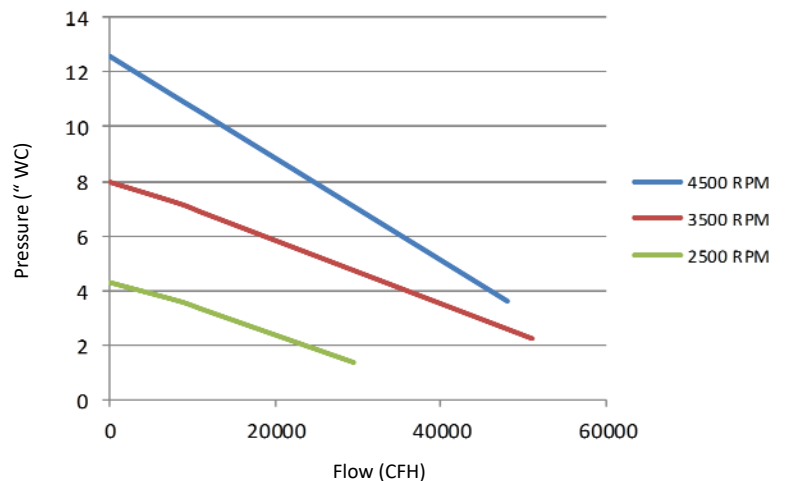
Features

- Hermetically sealed for use with air, natural gas, manufactured gas, and other non-corrosive air/gas mixtures
- UL listed gas booster
- Non-sparking cast aluminum construction
- Single-stage centrifugal design
- TEFC motor suitable for VFD use, UL recognized. Motor is not in contact with gas, therefore eliminating the need for an explosion proof motor and explosion proof wiring.
- Motor is easily accessible for wiring and inspection.
- Motor is magnetically coupled to blower with a gas tight barrier in between.
- Virtually maintenance free design. No dynamic seals that will wear.
- Blower is entirely sealed hermetically with static seals.
- 6" ANSI 150 lb. flange inlet and 4" ANSI 150 lb. flange discharge connections
- Maximum pressure boost 12.6" WC
- Maximum flow 50,000 CFH
- Maximum speed 4500 RPM
- The GT1400 gas booster is also available as part of the [action blower & equipment](#)

greenbooster— a turnkey gas boost system that includes all piping, valves, controls, and instrumentation to meet your gas boosting needs. The *greenbooster* utilizes a variable frequency drive to ensure energy is not wasted to boost the gas pressure beyond what is required.



Performance



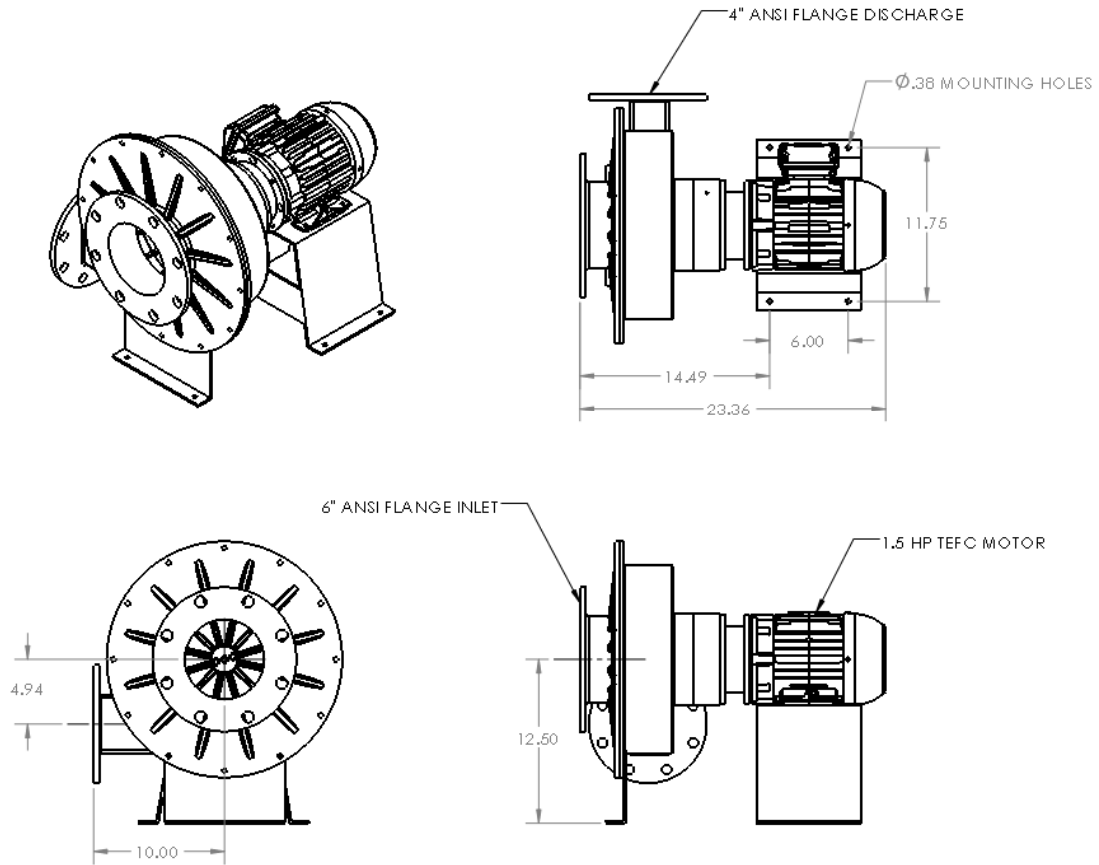
Notes:

Performance is based on natural gas at 0.6 specific gravity, inlet pressure of 14.7 PSIA and inlet temperature of 70° Fahrenheit.

Standard motor is a 1.5HP 3500 RPM 208-230/460V 3 phase 60 Hz NEMA Premium Efficient rated for Class I, Div 2, Groups A, B, C & D, Class II, Div 2, Groups F & G, inverter rated for 20:1 constant torque, 1000:1 variable torque.



Dimensions



- Values shown are approximate and should not be used for construction
- All dimensions are listed in inches
- Lower horizontal discharge configuration shown. Also available in upward vertical and upper horizontal discharge configurations.

