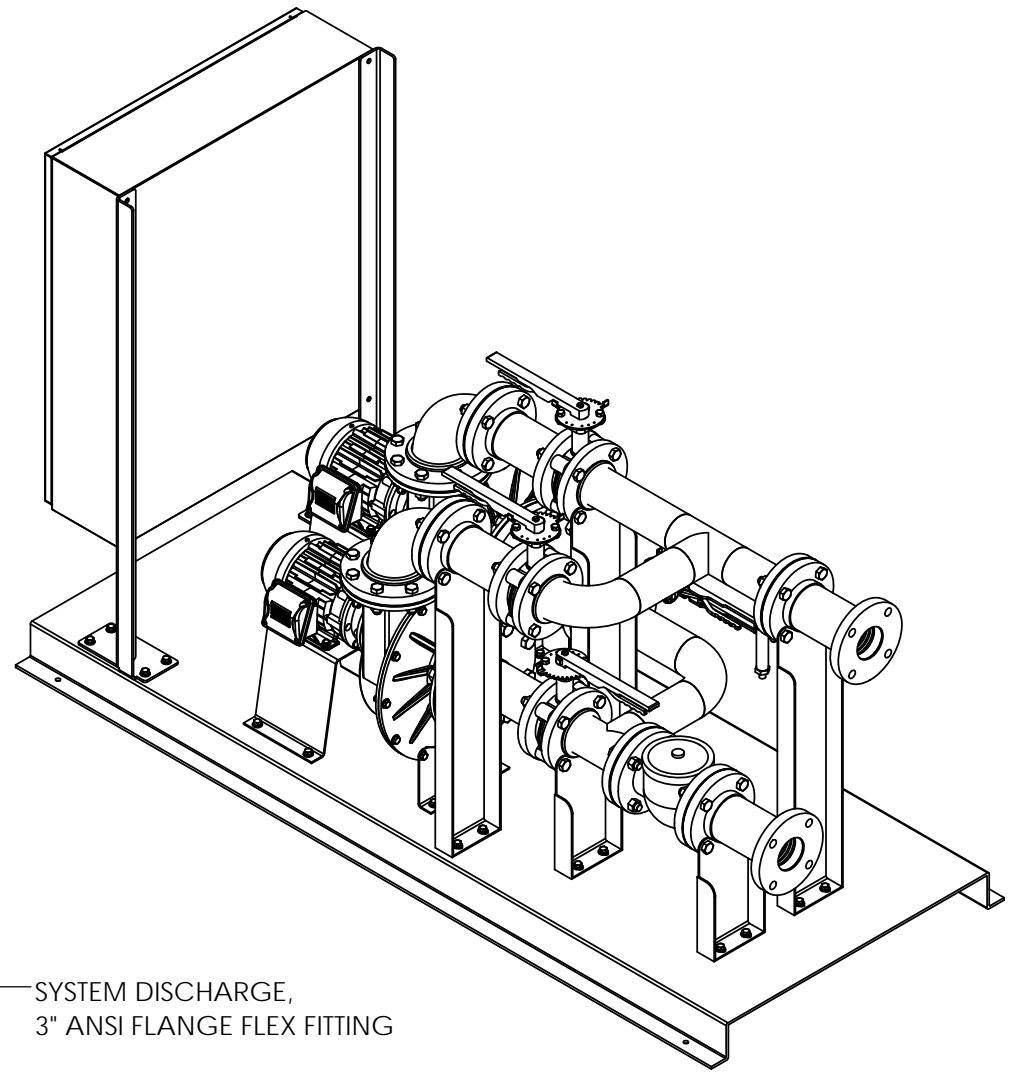
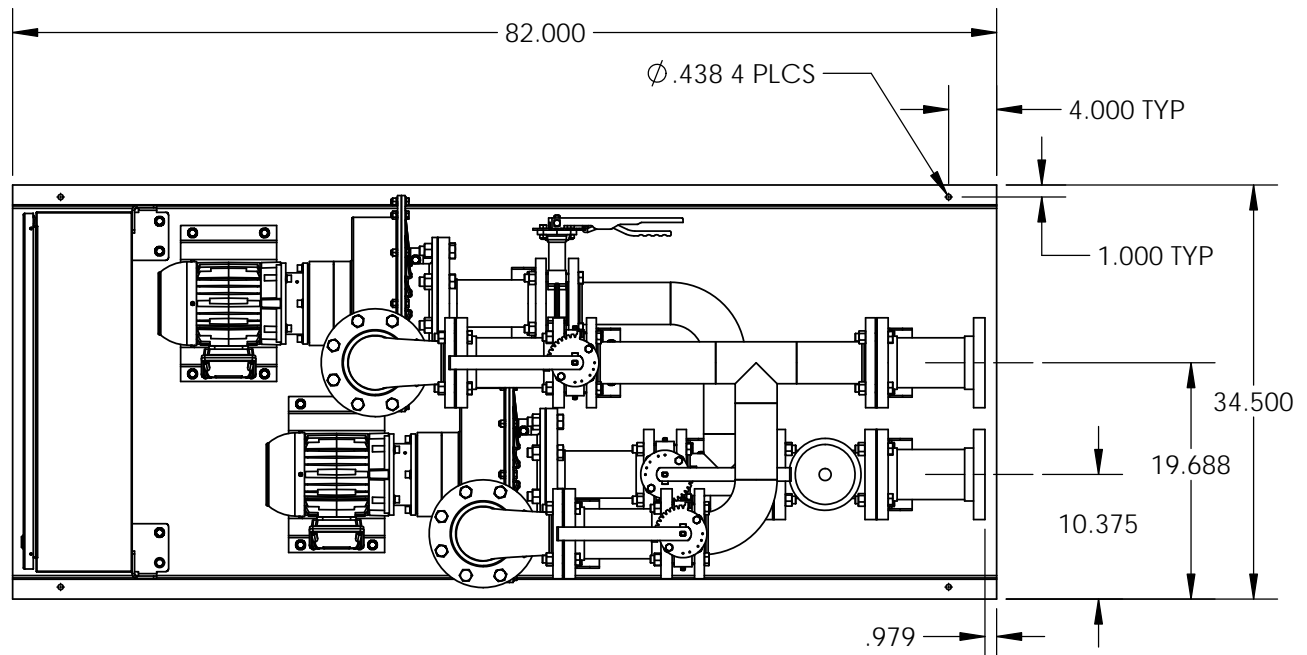


4

3

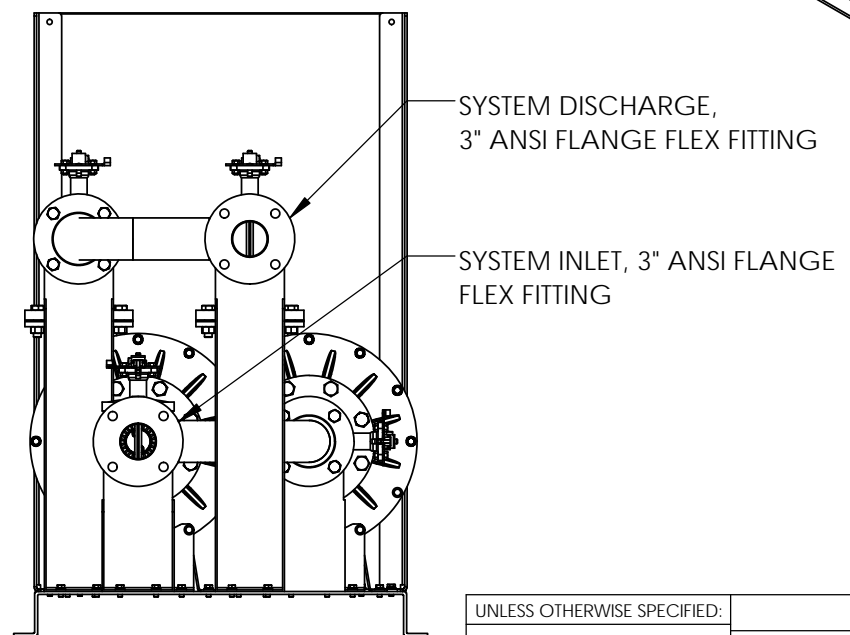
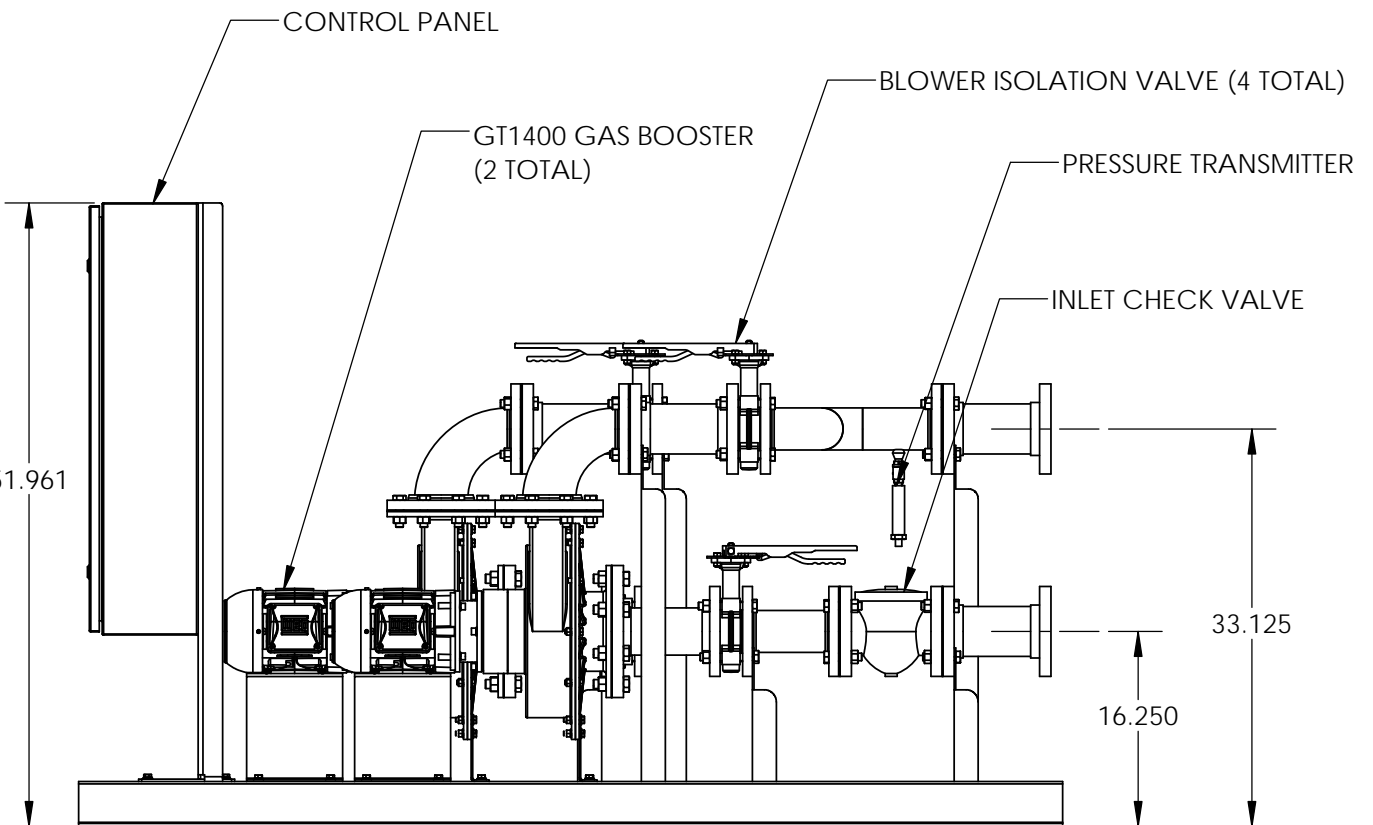
2

1



B

B



A

A

NOTES

- CONTROL PANEL AVAILABLE AS NEMA 1, NEMA 3R OR NEMA 12.
- PRESSURE TRANSMITTER INCLUDED WITH PACKAGE A ONLY. PRESSURE GAUGE REPLACES TRANSMITTER FOR PACKAGE B.
- ISOLATION VALVES SHOWN AS BUTTERFLY VALVES. ALSO AVAILABLE WITH PLUG VALVES.
- PIPING CONFIGURATION SHOWN AS 3". ALSO AVAILABLE IN 4" OR 6" INLET/4" DISCHARGE.
- OTHER OPTIONS AND ACCESSORIES AVAILABLE.

PROPRIETARY AND CONFIDENTIAL
 THE INFORMATION CONTAINED IN THIS DRAWING IS THE SOLE PROPERTY OF ACTION BLOWER & EQUIPMENT. ANY REPRODUCTION IN PART OR AS A WHOLE WITHOUT THE WRITTEN PERMISSION OF ACTION BLOWER & EQUIPMENT IS PROHIBITED.

UNLESS OTHERWISE SPECIFIED:		NAME	DATE	action blower & equipment		
DIMENSIONS ARE IN INCHES		DRAWN	RMH			08.07.17
TOLERANCES:		CHECKED	RMH	TITLE: Greenbooster, 3" Flange, 1.5HP Duplex		
FRACTIONAL ±		ENG APPR.	RMH			
ANGULAR: MACH ± BEND ±		MFG APPR.	RMH	SIZE	DWG. NO.	REV
TWO PLACE DECIMAL ±		Q.A.	RMH	B	CGB300-GT1400-1.5-AF-02	0
THREE PLACE DECIMAL ±		COMMENTS:		SCALE: 1:16	WEIGHT:	SHEET 1 OF 1
INTERPRET GEOMETRIC TOLERANCING PER:						
MATERIAL						
FINISH						
DO NOT SCALE DRAWING						

4

3

2

1