

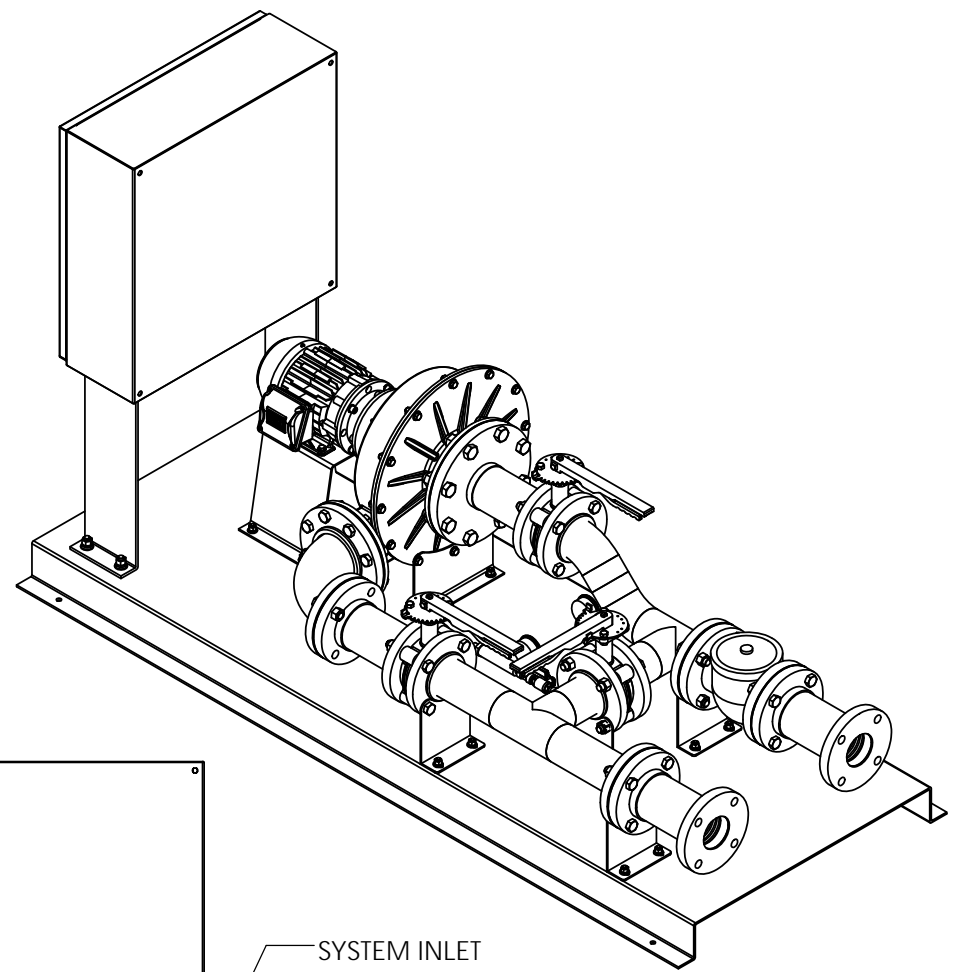
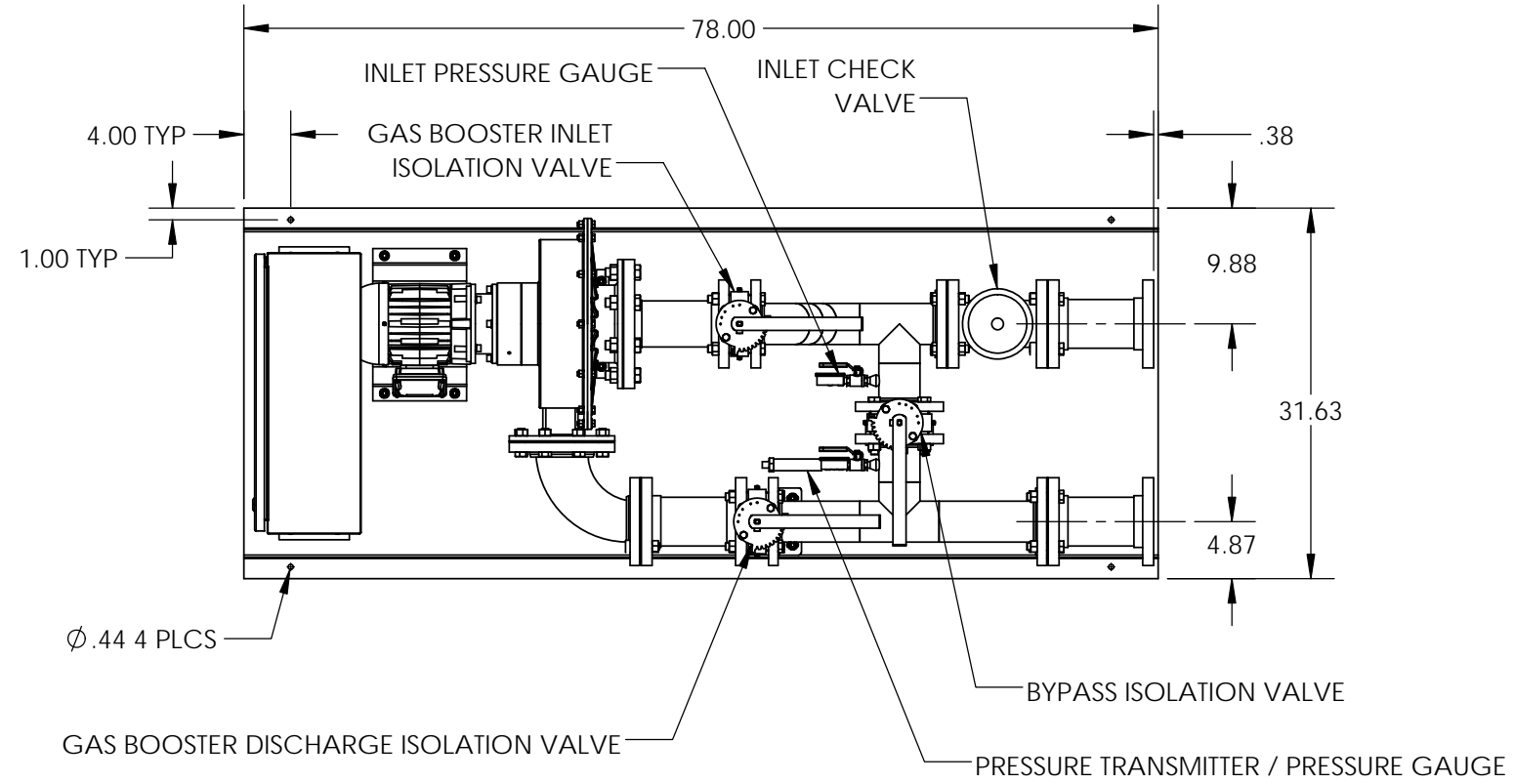
4

3

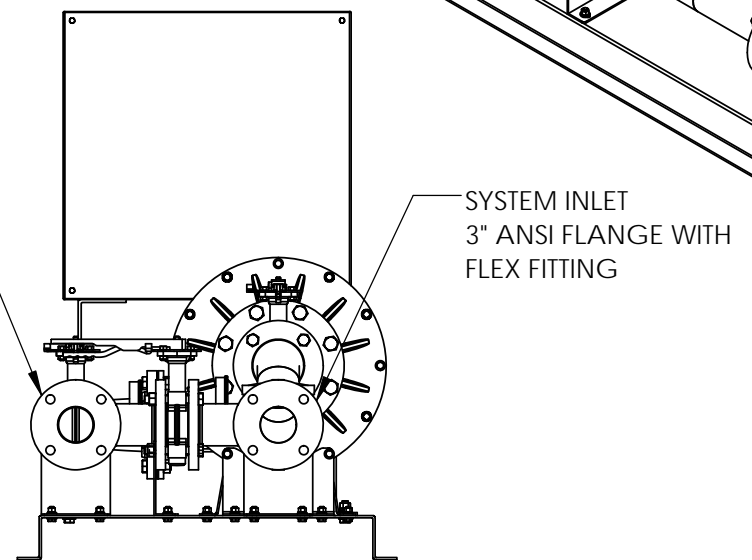
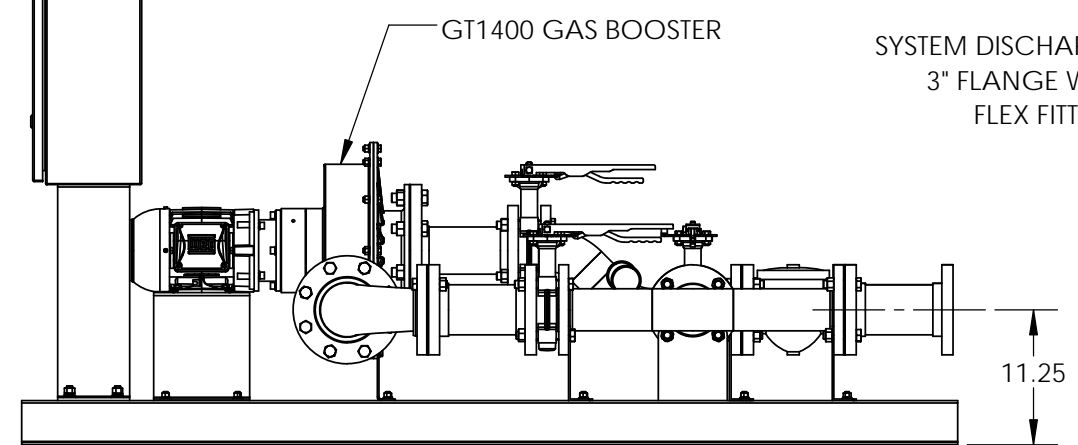
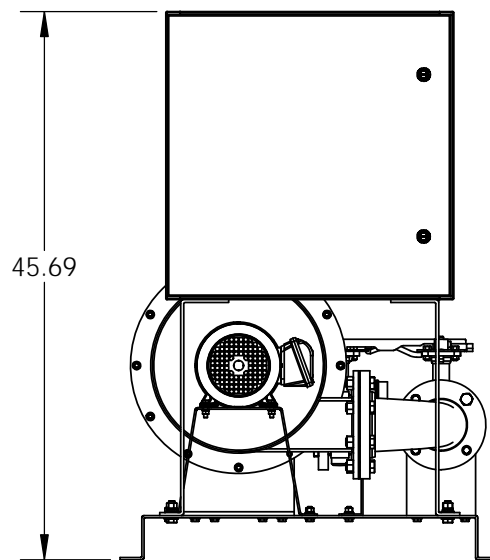
2

1

REV	DESCRIPTION	DATE	APPROVED BY
1	PIPE SUPPORT CONFIGURATION CHANGED	02/04/16	RMH



CONTROL PANEL



- NOTES
1. SHOWN WITH NEMA 1 CONTROL PANEL. ALSO AVAILABLE WITH NEMA 3R AND NEMA 12.
  2. SHOWN WITH BYPASS LINE. ALSO AVAILABLE WITHOUT BYPASS.
  3. PRESSURE TRANSMITTER INCLUDED WITH PACKAGE A ONLY.
  4. ISOLATION VALVES SHOWN AS BUTTERFLY VALVES. ALSO AVAILABLE WITH PLUG VALVES.
  5. PIPING CONFIGURATION SHOWN AS 3". ALSO AVAILABLE IN 4" OR 6" INLET/4" DISCHARGE.
  6. OTHER OPTIONS AND ACCESSORIES AVAILABLE.
  7. THERMOCOUPLE AND THERMOCOUPLE CONTROLLER STANDARD.

**PROPRIETARY AND CONFIDENTIAL**  
 THE INFORMATION CONTAINED IN THIS DRAWING IS THE SOLE PROPERTY OF ACTION BLOWER & EQUIPMENT. ANY REPRODUCTION IN PART OR AS A WHOLE WITHOUT THE WRITTEN PERMISSION OF ACTION BLOWER & EQUIPMENT IS PROHIBITED.

UNLESS OTHERWISE SPECIFIED:		NAME	DATE
DIMENSIONS ARE IN INCHES	TOLERANCES:	DRAWN	RMH 01.11.16
FRACTIONAL ±	ANGULAR: MACH ± BEND ±	CHECKED	RMH
TWO PLACE DECIMAL ±	THREE PLACE DECIMAL ±	ENG APPR.	RMH
INTERPRET GEOMETRIC TOLERANCING PER:	MATERIAL	MFG APPR.	RMH
FINISH	DO NOT SCALE DRAWING	Q.A.	RMH
		COMMENTS:	

action blower & equipment		
TITLE: Greenbooster, 3" Flange, Packages A & B, FM Check Valve, Gauges		
SIZE <b>B</b>	DWG. NO. CGB300-GT1400-1.5-AH-01	REV <b>1</b>
SCALE: 1:16 WEIGHT:		SHEET 1 OF 1

4

3

2

1

B

B

A

A