

4

3

2

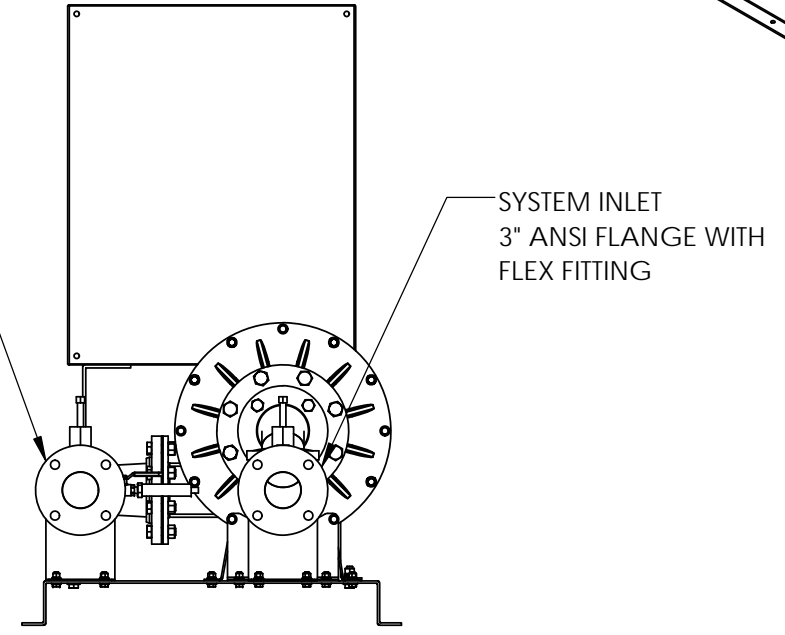
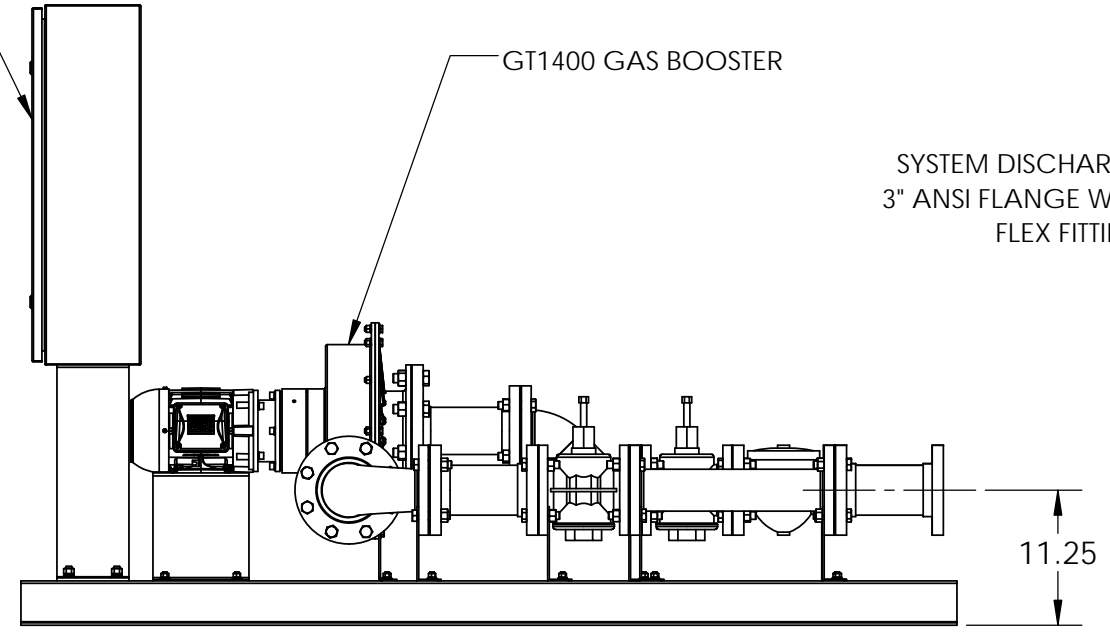
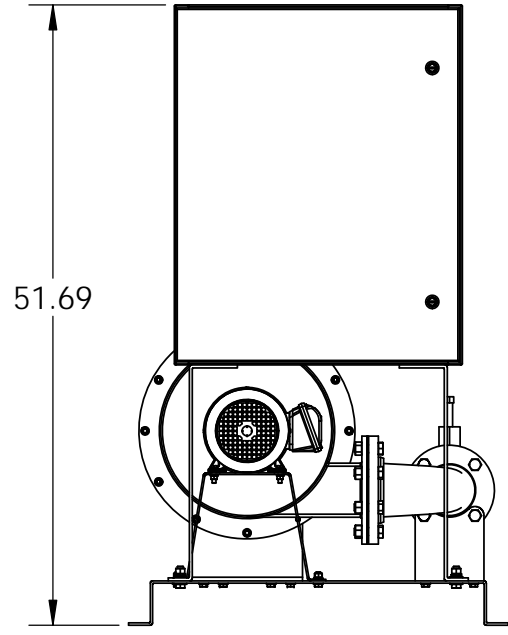
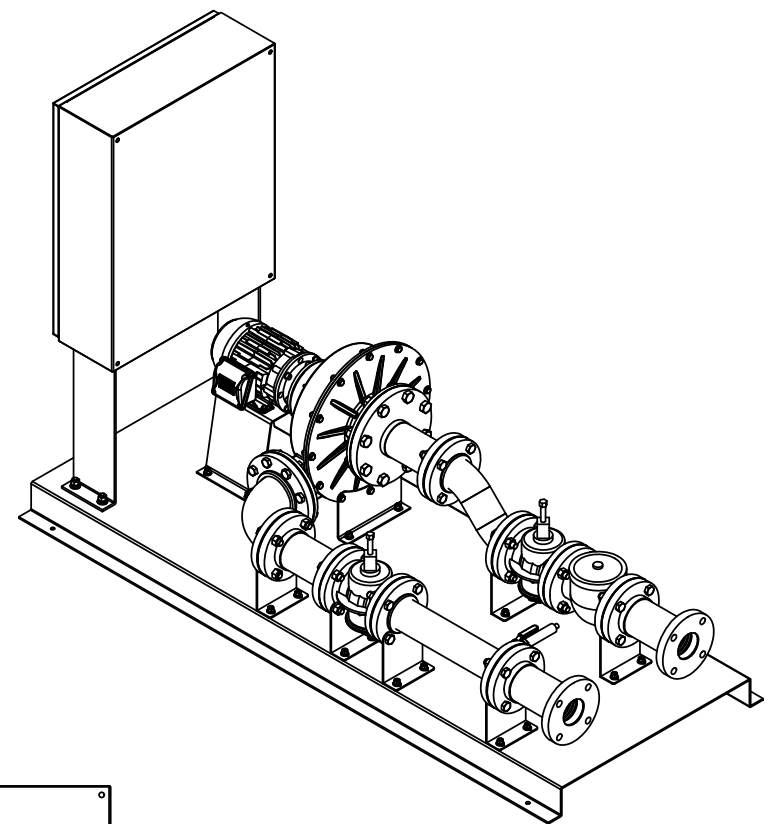
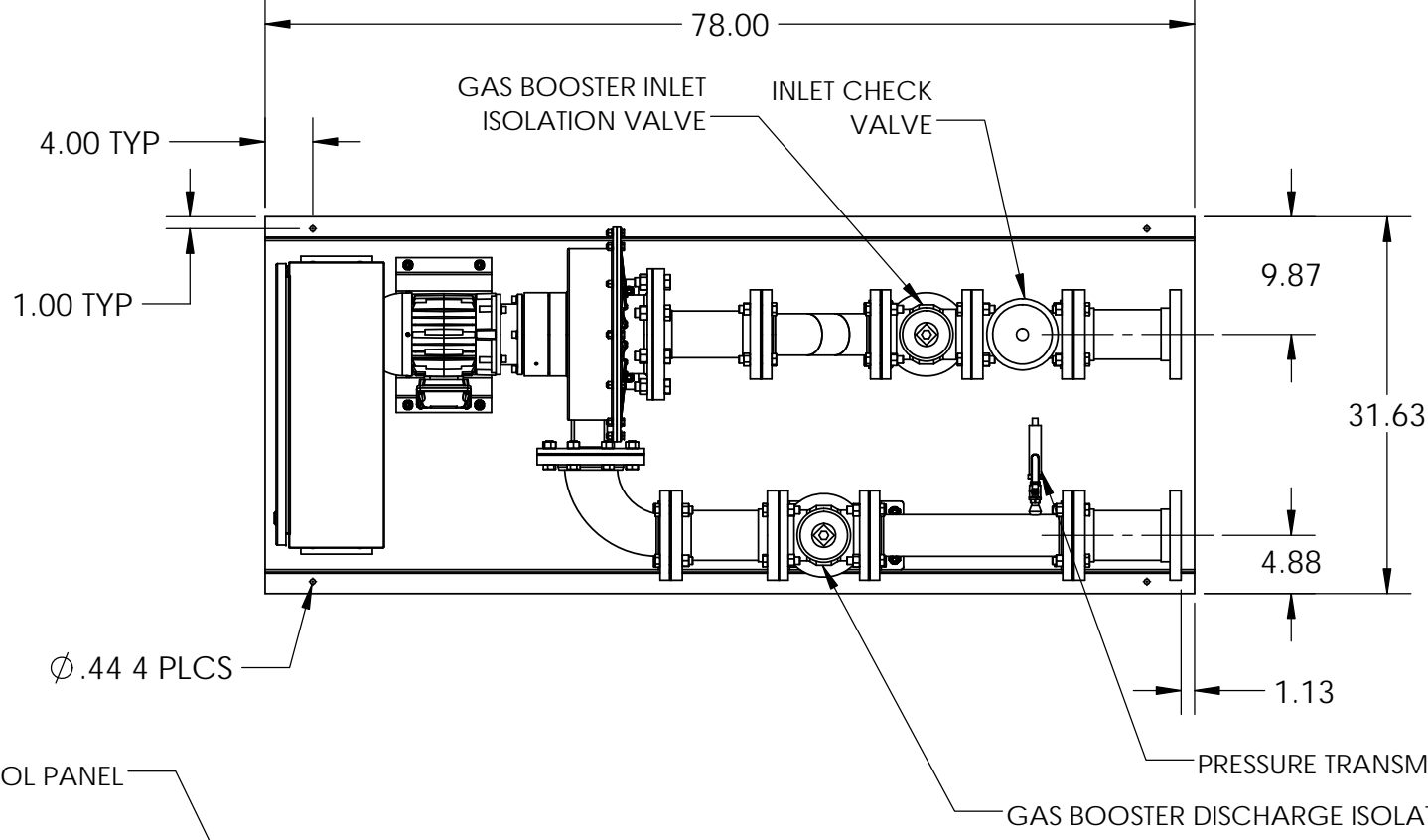
1

B

B

A

A



- NOTES
- CONTROL PANEL AVAILABLE AS NEMA 1, NEMA 3R OR NEMA 12.
 - SHOWN WITHOUT BYPASS LINE. ALSO AVAILABLE WITH BYPASS.
 - PRESSURE TRANSMITTER INCLUDED WITH PACKAGE A ONLY. PRESSURE GAUGE REPLACES TRANSMITTER FOR PACKAGE B.
 - ISOLATION VALVES SHOWN AS PLUG VALVES. ALSO AVAILABLE WITH BUTTERFLY VALVES.
 - PIPING CONFIGURATION SHOWN AS 3". ALSO AVAILABLE IN 4" OR 6" INLET/4" DISCHARGE.
 - OTHER OPTIONS AND ACCESSORIES AVAILABLE.

PROPRIETARY AND CONFIDENTIAL
 THE INFORMATION CONTAINED IN THIS DRAWING IS THE SOLE PROPERTY OF ACTION BLOWER & EQUIPMENT. ANY REPRODUCTION IN PART OR AS A WHOLE WITHOUT THE WRITTEN PERMISSION OF ACTION BLOWER & EQUIPMENT IS PROHIBITED.

UNLESS OTHERWISE SPECIFIED:		NAME	DATE	action blower & equipment	
DIMENSIONS ARE IN INCHES		DRAWN	RMH		
TOLERANCES:		CHECKED	RMH	TITLE: Greenbooster, 3" Flange 1.5HP Packages A and B, No Bypass, Plug Valves	
FRACTIONAL ±		ENG APPR.	RMH		
ANGULAR: MACH ± BEND ±		MFG APPR.	RMH		
TWO PLACE DECIMAL ±		Q.A.	RMH		
THREE PLACE DECIMAL ±		COMMENTS:		SIZE	DWG. NO.
INTERPRET GEOMETRIC TOLERANCING PER:				B	CGB300-GT1400-1.5-AJ-01A-B Outline
MATERIAL				REV	0
FINISH				SCALE: 1:16 WEIGHT: SHEET 1 OF 1	
DO NOT SCALE DRAWING					

4

3

2

1