

4

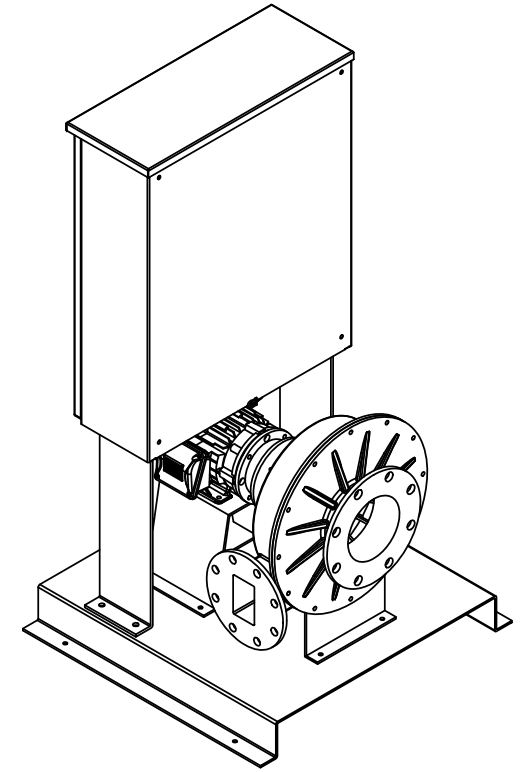
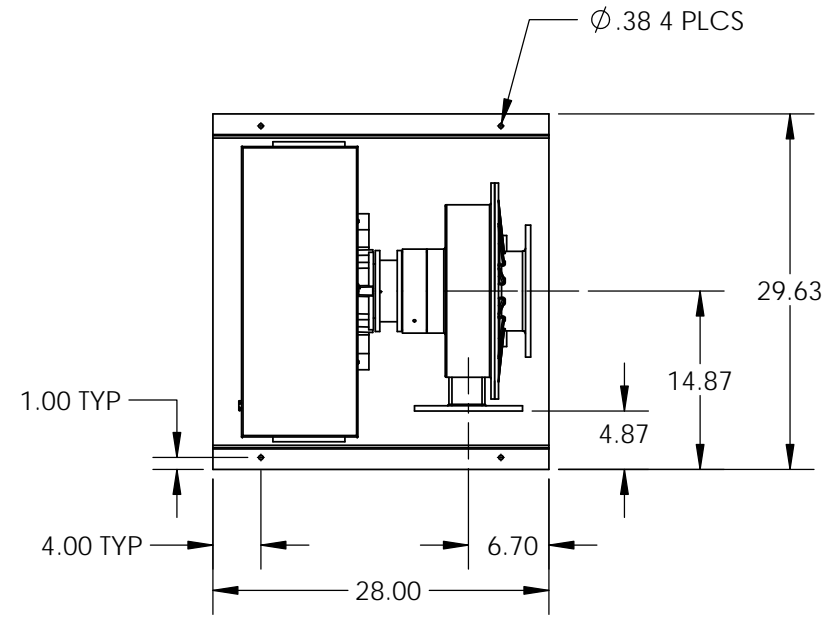
3

2

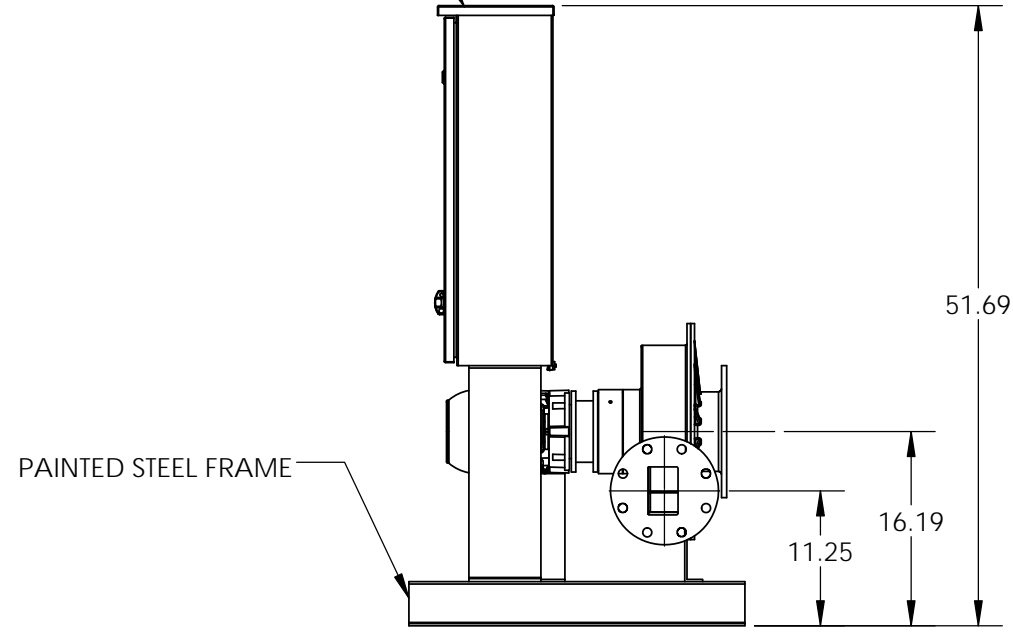
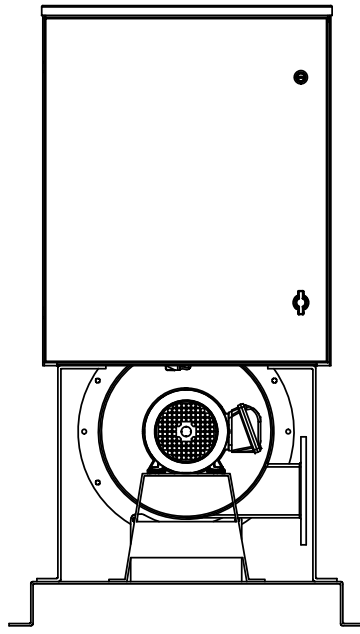
1

B

B



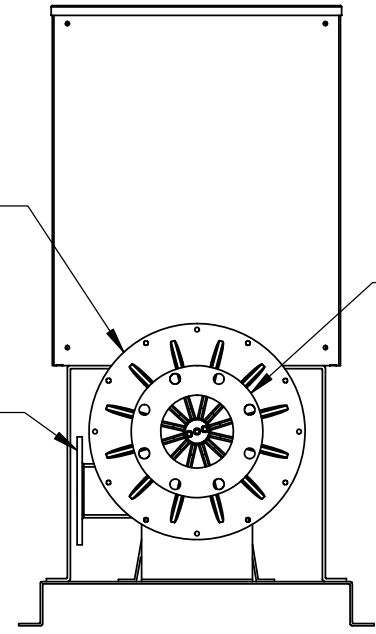
NEMA 1 CONTROL PANEL



GT1400 GAS BOOSTER

6" ANSI FLANGE INLET

4" ANSI FLANGE DISCHARGE



A

A

NOTES

- 1. SHOWN WITH NEMA 1 CONTROL PANEL. ALSO AVAILABLE WITH NEMA 3R AND NEMA 12.
- 2. LOWER LEFT DISCHARGE CONFIGURATION SHOWN. DISCHARGE MAY ALSO BE ORIENTED IN UPPER RIGHT OR TOP CONFIGURATION.

PROPRIETARY AND CONFIDENTIAL
 THE INFORMATION CONTAINED IN THIS DRAWING IS THE SOLE PROPERTY OF ACTION BLOWER & EQUIPMENT. ANY REPRODUCTION IN PART OR AS A WHOLE WITHOUT THE WRITTEN PERMISSION OF ACTION BLOWER & EQUIPMENT IS PROHIBITED.

UNLESS OTHERWISE SPECIFIED:		NAME	DATE
DIMENSIONS ARE IN INCHES		DRAWN	RMH 07/07/15
TOLERANCES:		CHECKED	RMH
FRACTIONAL ±		ENG APPR.	RMH
ANGULAR: MACH ± BEND ±		MFG APPR.	RMH
TWO PLACE DECIMAL ±		Q.A.	RMH
THREE PLACE DECIMAL ±		COMMENTS:	
INTERPRET GEOMETRIC TOLERANCING PER:			
MATERIAL			
FINISH			
DO NOT SCALE DRAWING			

action blower & equipment		
TITLE:		
Greenbooster, 1.5HP Package C		
SIZE	DWG. NO.	REV
B	CGB6.400-GT1400-1.5-AA-01C stamped base	1
SCALE: 1:16	WEIGHT:	SHEET 1 OF 1

4

3

2

1