

Positive Displacement Gas Boost Systems

(Patent Pending)

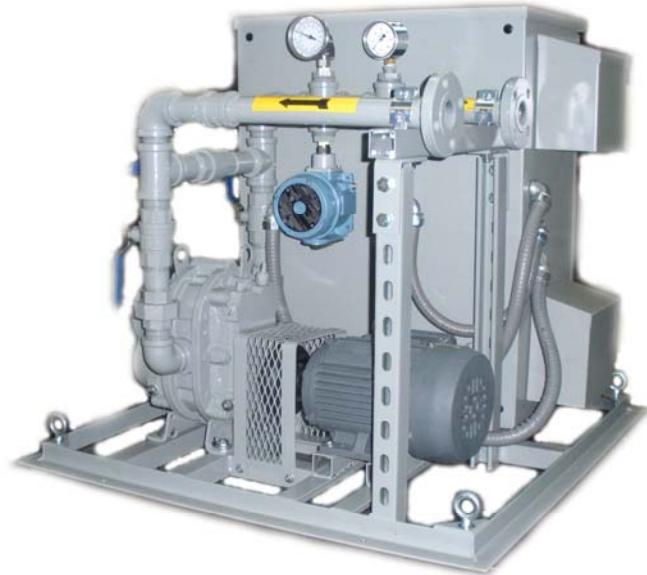
Model PDGB gas boost systems from [action blower & equipment](#) provide a complete turnkey solution for applications in which the available gas pressure is not adequate to meet the required demand.

The PDGB systems utilize *greenbooster* technology with a gas tight positive displacement blower direct driven by a NEMA Premium Efficient inverter duty electric motor. The systems use a pressure indicator to sense the gas pressure being delivered. Based on the sensed pressure, a variable frequency drive adjusts the speed of the motor to deliver the required amount of gas.

Features

The standard system includes the following:

- Gas tight positive displacement blower
- Inverter duty TEFC motor rated for Class 1 Div 2
- Motor direct coupled to blower with guard
- Explosion proof pressure indicator
- Explosion proof thermocouple for temperature monitoring and high temperature shutdown
- Manual blower bypass valves
- 150 lb flange inlet and discharge connections
- Control panel with PID controller, VFD, fused disconnect switch, and controls for operation
- Powder coated steel base
- Standard systems are available in pipe sizes ranging from 2" to 6"
- Motor sizes range from 1 HP to 60 HP
- UL listed control panel
- Custom options available upon request



Advantages

- Complete turnkey solution. Simply connect gas to inlet and discharge and connect electrical input power.
- Low maintenance - blower is oil and grease lubricated, motor lubrication not required.
- Low energy consumption - blower only runs as required to meet demand.

 action blower & equipment

PO Box 440141
St. Louis, MO 63144
o 303.975.1660
f 303.975.1663
www.actionblower.com
sales@actionblower.com

System Selection

Systems are sized based on:

- Available pressure
- Required pressure
- Required flow

Sizing Chart

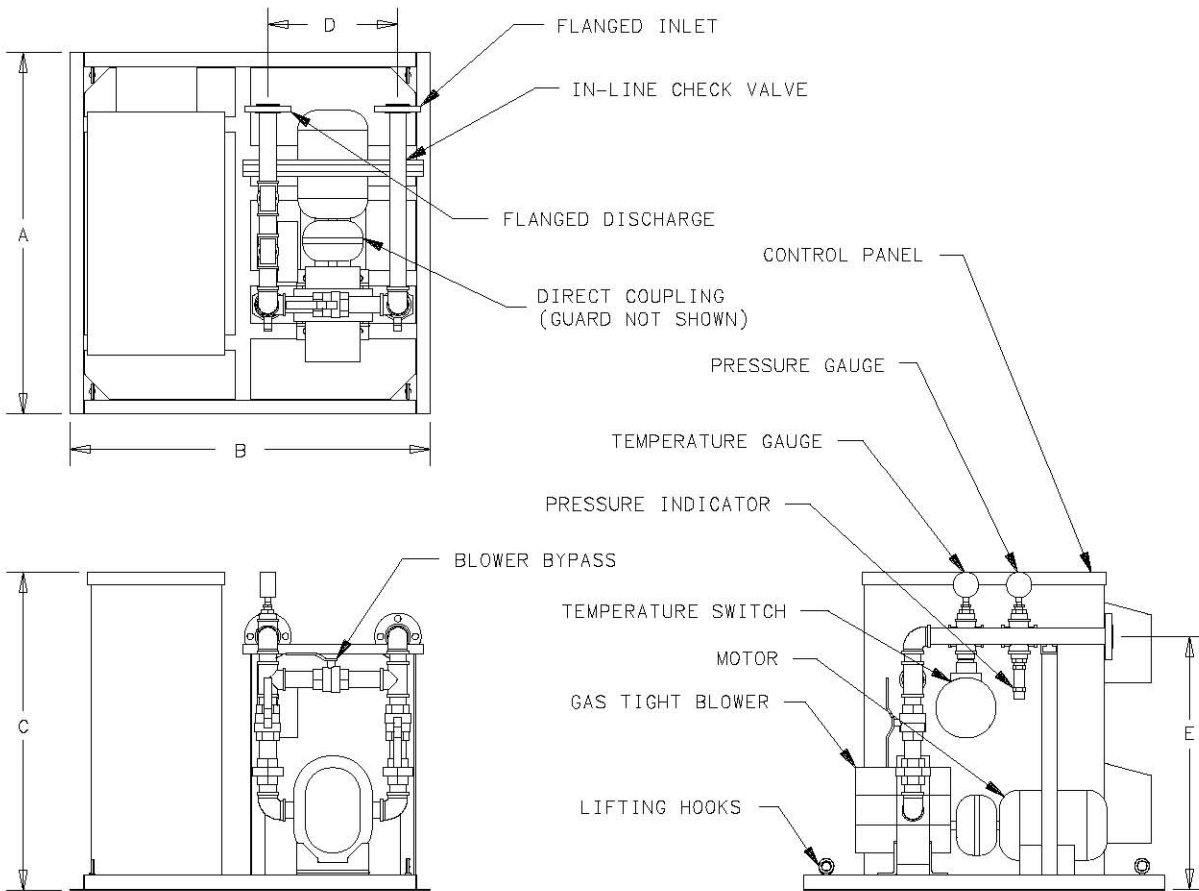
Pipe Size	Blower	Max flow / HP @ 20" H2O Boost	Max flow / HP @ 2 PSI Boost	Max flow / HP @ 5 PSI Boost	Max flow / HP @ 10 PSI Boost
2"	32	125 CFM / 1.5 HP	115 CFM / 2 HP	105 CFM / 5 HP	90 CFM / 7.5 HP
	33	175 CFM / 1.5 HP	160 CFM / 3 HP	150 CFM / 7.5 HP	125 CFM / 10 HP
3"	36	300 CFM / 2 HP	275 CFM / 5 HP	250 CFM / 10 HP	
	45	350 CFM / 3 HP	325 CFM / 5 HP	300 CFM / 10 HP	275 CFM / 20 HP
	47	450 CFM / 3 HP	450 CFM / 7.5 HP	400 CFM / 15 HP	
4"	56	525 CFM / 5 HP	500 CFM / 10 HP	450 CFM / 20 HP	420 CFM / 40 HP
	59	750 CFM / 7.5 HP	725 CFM / 15 HP	700 CFM / 30 HP	
6"	615	1400 CFM / 15 HP	1350 CFM / 30 HP	1200 CFM / 60 HP	

- "Boost" = Required pressure - available pressure
- Values listed above are for reference only. [action blower & equipment](#) should be consulted to verify proper sizing.
- Optional sound enclosures available
- Larger custom units and high pressure units are available upon request
- Duplex units are also available upon request



PO Box 440141
St. Louis, MO 63144
o 303.975.1660
f 303.975.1663
www.actionblower.com
sales@actionblower.com

Dimensions



Pipe Size	Dim "A"	Dim "B"	Dim "C"	Dim "D"	Dim "E"
2"	40	40	32	17	26
3"	56	48	32	21	28
4"	62	48	32	24	29
6"	62	56	32	32	30

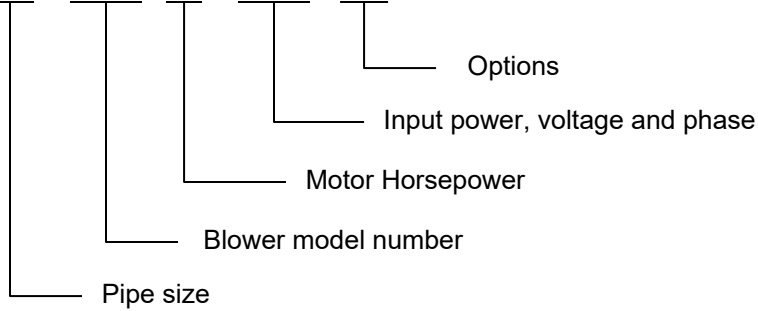
- Values shown are approximate and should not be used for construction
- All dimensions are listed in inches

ab action blower & equipment

PO Box 440141
 St. Louis, MO 63144
 o 303.975.1660
 f 303.975.1663
 www.actionblower.com
 sales@actionblower.com

Part Number Configuration

Example: PDGB200— 32—02— 2081—AA



Pipe Sizes
2"
3"
4"
6"

Blower Models
32
33
36
45
47
56
59
615

Motor HP
1
1.5
2
3
5
7.5
10
15
20
25
30
40
50
60

Input Power
208V 1Ø
240V 1Ø
208V 3Ø
240V 3Ø
480V 3Ø

Options
AA - NEMA 1 enclosure (for use in indoor area)
AB - NEMA 3R enclosure (for use in outdoor area)
Consult action blower & equipment for additional options

- Refer to sizing chart for standard combinations of pipe size, blower model, and motor horsepower
- For complete ordering information, please consult [action blower & equipment](#)



PO Box 440141
 St. Louis, MO 63144
 o 303.975.1660
 f 303.975.1663
 www.actionblower.com
 sales@actionblower.com